



1

STANDARD EXECUTIONS

Body made out of cast black-oxide steel for welding, cast zinc-plated steel lever; AISI 316Ti stainless steel spring, zinc-plated steel plunger:



2

- **GN 722.1-A-ST**: square body, with mounted operating lever.



3

- **GN 722.1-AU-ST**: square body, with unmounted operating lever.

- **GN 722.1-R-ST**: circular body, with mounted operating lever.

- **GN 722.1-RU-ST**: circular body, with unmounted operating lever.



4

Grub screw

Steel, zinc-plated



5

FEATURES AND APPLICATIONS

GN 722.1 lever indexing plungers are used when the plunger must be retracted quickly.



6

By rotating through 180° the lifting lever stops on the notch, keeping the plunger in the retracted position.



7

The dimensional tolerances between plunger pin and guide are selected so that the functional reliability is guaranteed even after welding, applying a corrosion protection layer or in case of contamination.



8

In the case of fixing by welding, the unassembled AU version is particularly recommended to avoid alterations to the microstructure of the material due to the heating of the spring and the plunger. In this case, the spring indexing plunger is assembled only after the surface treatment of the welded guide.



9



10



11



12



13



14



15



16



17



18



19



20

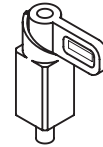
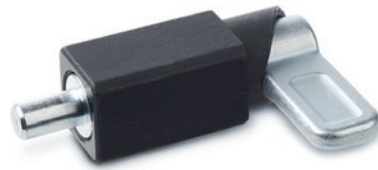
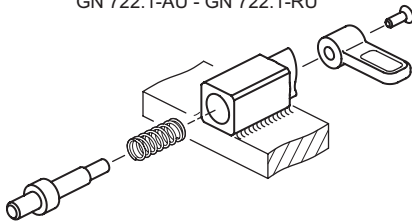


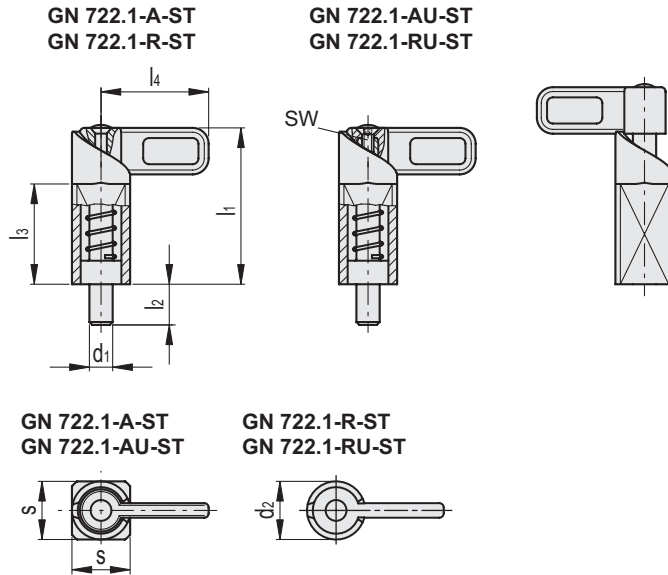
21



22

Assembly instruction
GN 722.1-AU - GN 722.1-RU





GN 722.1-A-ST

Code	Description	d1 Plunger -0.05 -0.25 Hole +0.1 +0.3	l1	l2	l3	l4	s	Spring preload [N]	Spring max load [N]	⚖
GN.39351	GN 722.1-8-20-A-ST	8	54	14	35	37	20	14	35	135
GN.39352	GN 722.1-10-20-A-ST	10	54	14	35	37	20	14	35	144
GN.39353	GN 722.1-12-20-A-ST	12	54	14	35	37	20	14	35	148
GN.39354	GN 722.1-14-20-A-ST	14	54	14	35	37	20	14	35	153
GN.28932	GN 722.1-16-30-A-ST	16	83	20	54	55	30	22	70	622
GN.28942	GN 722.1-20-30-A-ST	20	83	20	54	55	30	22	70	639

GN 722.1-AU-ST

Code	Description	d1 Plunger -0.05 -0.25 Hole +0.1 +0.3	l1	l2	l3	l4	s	sw	Spring preload [N]	Spring max load [N]	⚖
GN.28912	GN 722.1-8-20-AU-ST	8	54	14	35	37	20	2.5	14	35	135
GN.28917	GN 722.1-10-20-AU-ST	10	54	14	35	37	20	2.5	14	35	144
GN.28922	GN 722.1-12-20-AU-ST	12	54	14	35	37	20	2.5	14	35	148
GN.28927	GN 722.1-14-20-AU-ST	14	54	14	35	37	20	2.5	14	35	153
GN.28934	GN 722.1-16-30-AU-ST	16	83	20	54	55	30	4	22	70	622
GN.28944	GN 722.1-20-30-AU-ST	20	83	20	54	55	30	4	22	70	639

GN 722.1-R-ST

Code	Description	d1 Plunger -0.05 -0.25 Hole +0.2 +0.4	d2	l1	l2	l3	l4	s	Spring preload [N]	Spring max load [N]	⚖
GN.45396	GN 722.1-8-20-R-ST	8	20	54	14	35	37	20	14	35	117
GN.45376	GN 722.1-10-20-R-ST	10	30	54	14	35	55	20	14	35	431
GN.45380	GN 722.1-12-20-R-ST	12	20	54	14	35	37	20	14	35	120
GN.45384	GN 722.1-14-20-R-ST	14	20	54	14	35	37	20	14	35	124
GN.45388	GN 722.1-16-30-R-ST	16	20	83	20	54	37	30	22	70	129
GN.45392	GN 722.1-20-30-R-ST	20	30	83	20	54	55	30	22	70	449

GN 722.1-RU-ST

Code	Description	d1 Plunger -0.05 -0.25 Hole +0.2 +0.4	d2	l1	l2	l3	l4	s	sw	Spring preload [N]	Spring max load [N]	⚖
GN.45398	GN 722.1-8-20-RU-ST	8	20	54	14	35	37	20	2.5	14	35	117
GN.45378	GN 722.1-10-20-RU-ST	10	20	54	14	35	37	20	2.5	14	35	120
GN.45382	GN 722.1-12-20-RU-ST	12	20	54	14	35	37	20	2.5	14	35	124
GN.45386	GN 722.1-14-20-RU-ST	14	20	54	14	35	37	20	2.5	14	35	128
GN.45390	GN 722.1-16-30-RU-ST	16	30	83	20	54	55	30	4	22	70	431
GN.45394	GN 722.1-20-30-RU-ST	20	30	83	20	54	55	30	4	22	70	449



Indexing and positioning elements